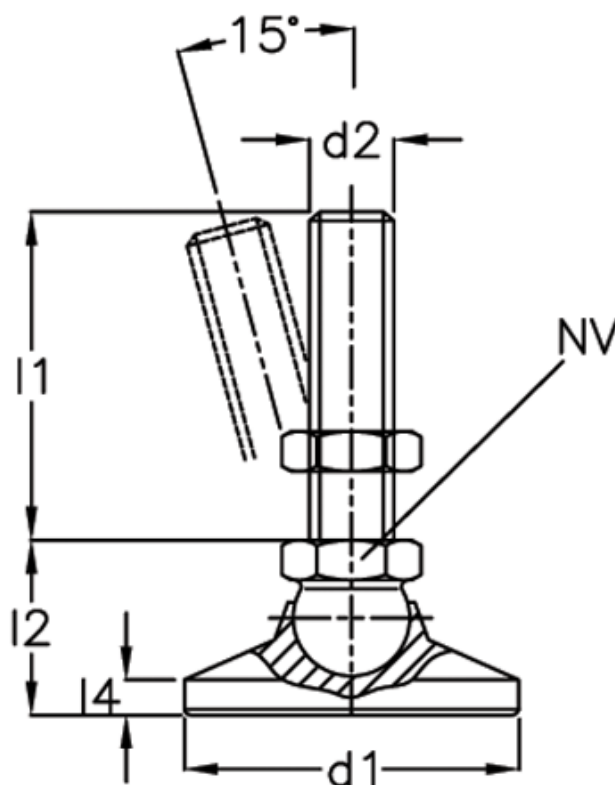


Article number: 20343225M840OS

Description: E+G Levelling foot
GN 343.2-25-M8-40-OS

Note: 0

Measures



d1 = 25

d2 = M8

l1 = 40

l2 = 19

l3 = -

l4 = 4

l5 = -

NV = 12

Static load = 14

Weight in (g) = 50